

# MP Series

## Video Wall Controller

MP300&MP700

### INTRODUCTION

LED video walls have become increasingly popular in many applications, including concerts, live events, security monitoring centers, Olympic Games. These dynamic displays consist of multiple LED panels seamlessly tiled together managing the content, processing signals, to create a large, coordinating and synchronizing the display of images and videos across multiple LED panels.

The MP series supports DVI , HDMI, audio and Ethernet signal. The maximum loading capacity is 1920×1200@60Hz.

The MP Series communicates with PC via Type-B USB port. Multiple MP Series units can be cascaded via UART port.



### FEATURES

#### MP300

- 2 Input connectors
  - 1×SL-DVI (IN-OUT)
  - 1×AUDIO
- 2×Gigabit Ethernet outputs
- 1×light sensor interface
- 1×Type-B USB control port
- 2×UART control ports
  - Used for device cascading. Up to 20 devices can be cascaded.
- Pixel level brightness and chroma calibration.

#### MP700

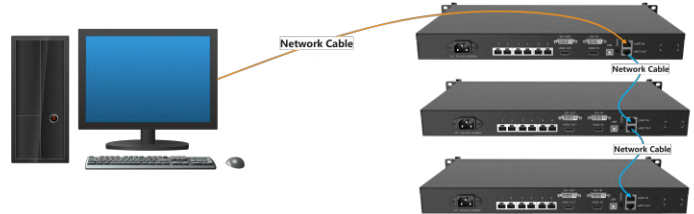
- 3 Input connectors
  - 1×SL-DVI (IN-OUT)
  - 1×HDMI 1.3 (IN-OUT)
  - 1×AUDIO
- 6×Gigabit Ethernet outputs
- 1×Type-B USB control port
- 2×UART control ports
  - Used for device cascading. Up to 20 devices can be cascaded.
- Pixel level brightness and chroma calibration.

MP Series

## FUNCTION

### Device interconnection

The device can be directly connected through UART Port, so that one computer can control all sending boxes, which will facilitate unified control



### Ultra-low latency with visually lossless compression

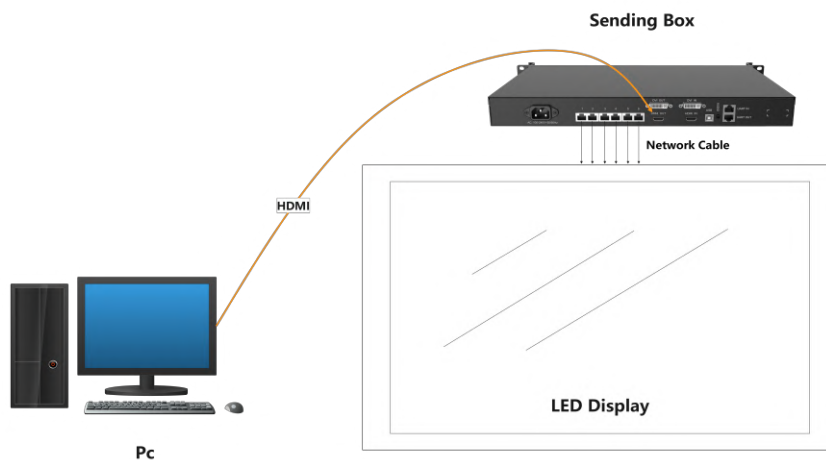
Decodes and Encodes professional-grade video with ultra-low latency, and the output delay is less than 100ms, guaranteeing exceptional user experience and response time in mission critical applications.

### UI customization

iSEMC is committed to providing customers with better customized services, supporting customized software login interface background, system control background and layout, adding LOGO.



## DIAGRAM



## MP Series

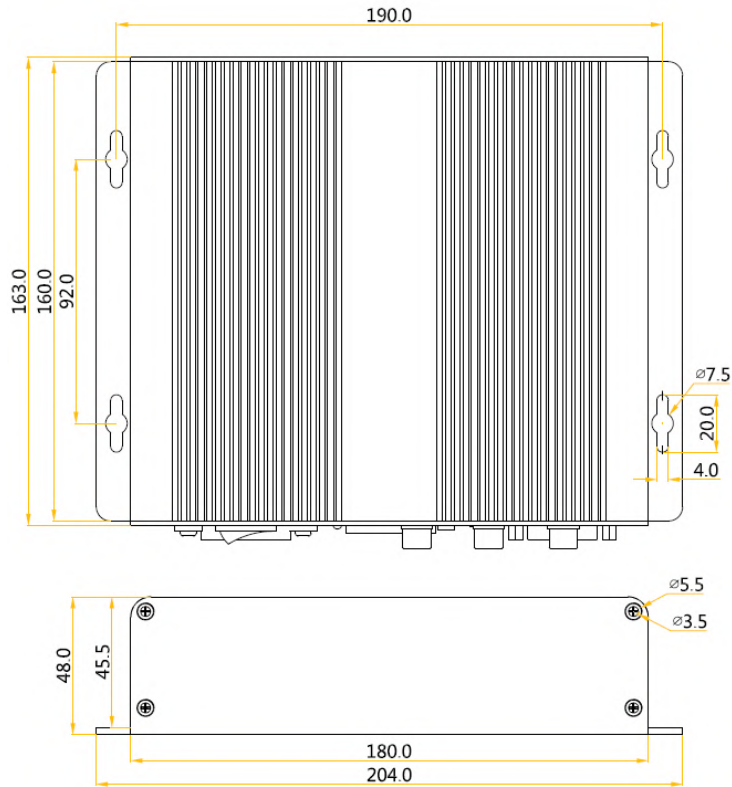
## SPECIFICATION

Product Name	MP300		MP700	
Connector Type	Connector Name	Description		
Input Interface	DVI IN	1x SL-DVI input connector Resolutions up to 1920x1200@60Hz Custom resolutions supported Maximum width: 3840 (3840x600@60Hz) Maximum height: 3840 (548x3840@60Hz)	DVI IN	1x SL-DVI input connector Resolutions up to 1920x1200@60Hz Custom resolutions supported Maximum width: 3840 (3840x600@60Hz) Maximum height: 3840 (548x3840@60Hz) HDCP 1.4 compliant
	NONE		HDMI IN	1x HDMI 1.3 input connector Resolutions up to 1920x1200@60Hz Custom resolutions supported Maximum width: 3840 (3840x600@60Hz) Maximum height: 3840 (548x3840@60Hz) HDCP1.4 compliant
	Audio	Audio input connector		
Output Interface	2 x RJ45	2 x RJ45 Gigabit Ethernet ports Capacity per port up to 650,000 pixels Redundancy between Ethernet ports supported	6 x RJ45	6 x RJ45 Gigabit Ethernet ports Capacity per port up to 650,000 pixels Redundancy between Ethernet ports supported
Functionality	LIGHT SENSOR	Connect to a light sensor to monitor ambient brightness to allow for automatic screen brightness adjustment.	HDMI OUT	1x HDMI 1.3 output connector for cascading
	NONE		DVI OUT	1x SL-DVI output connector for cascading
Control	USB	Type-B USB 2.0 port to connect to PC		
	UART IN/OUT	Input and output ports to cascade devices. Up to 20 devices can be cascaded.		
Electrical Specifications	Input Voltage	AC 100V-240V-50/60Hz		
	Rated Power Consumption	3.0 W	Rated Power Consumption	12 W
Operating Environment	Temperature	-20°C to +60°C		
	Humidity	10% RH to 90% RH, non-condensing		
Physical Specifications	Dimensions	204.0 mm x 160.0 mm x 48.0 mm	Dimensions	482.0 mm x 268.5 mm x 44.4 mm
	Net Weight	1.04 kg	Net Weight	2.6 kg

## MP Series

## PRODUCT DIMENSION

### MP300



### MP700

